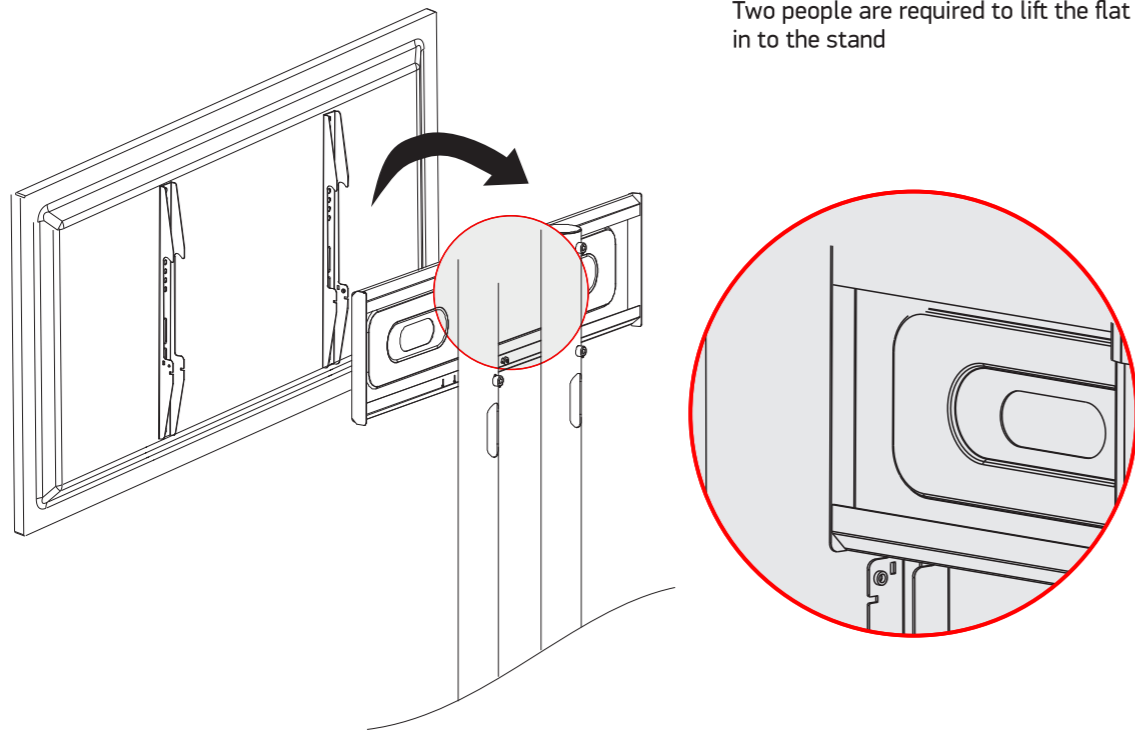


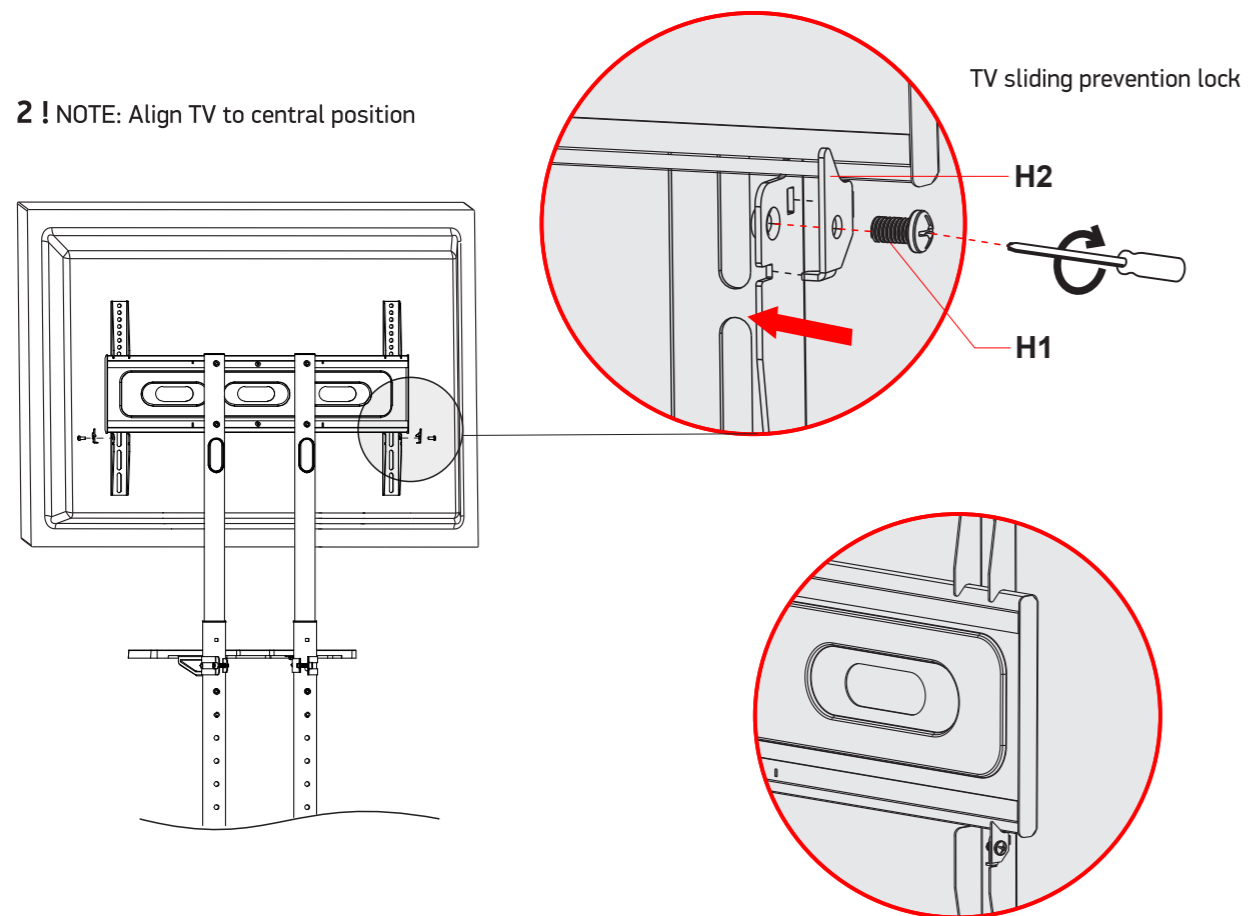


## 6. Attaching the Display to the VESA panel

**Warning:**  
Two people are required to lift the flat panel  
in to the stand



**2 ! NOTE:** Align TV to central position



## 7. Cables and wires installation

