

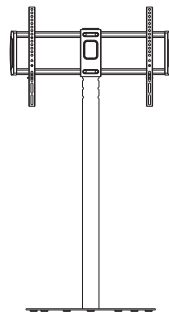
# TV STAND Manual

Model no.:DWD019

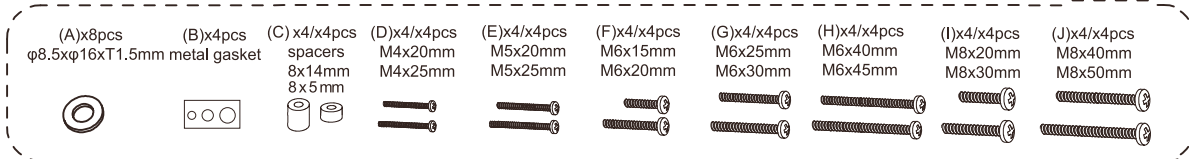
Fit screen size:32"-75"(most)

Max loading weight:50kgs

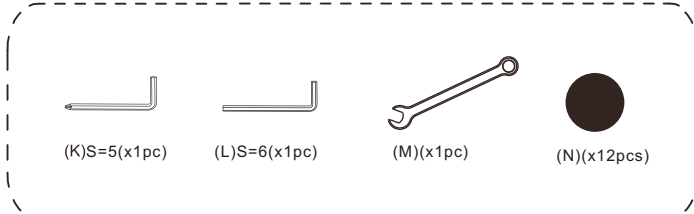
VESA:600x400mm



## Accessories bag 1



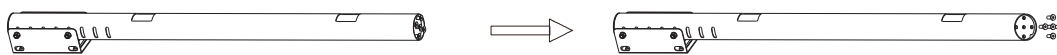
## Accessories bag2



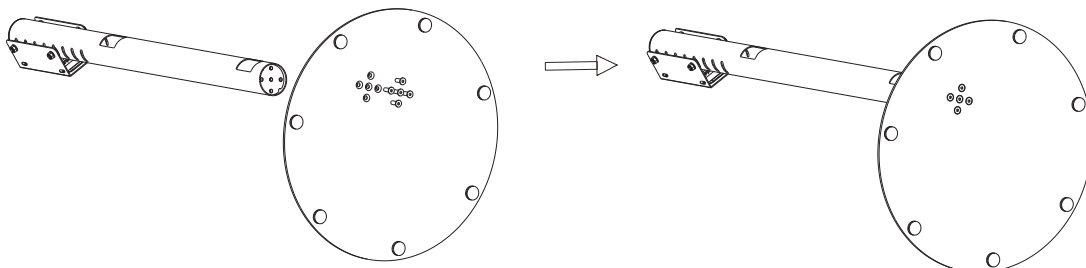
## Accessories bag3



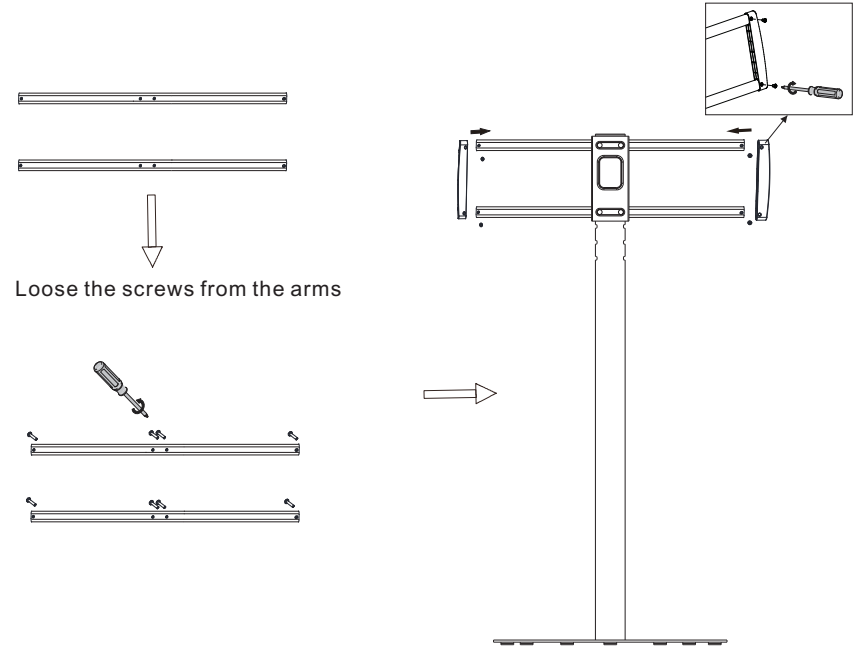
Step-1:Loose the screws in the bottom of pole.



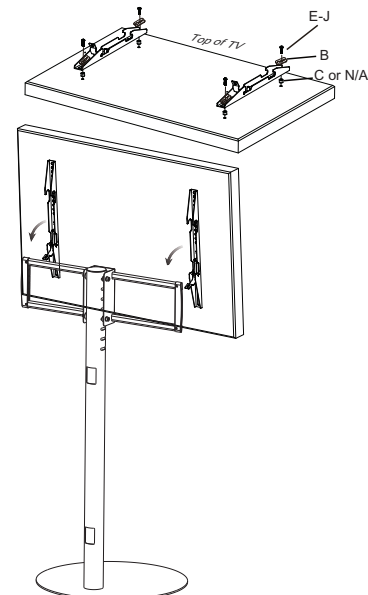
Step-2:Install the pole to the base.



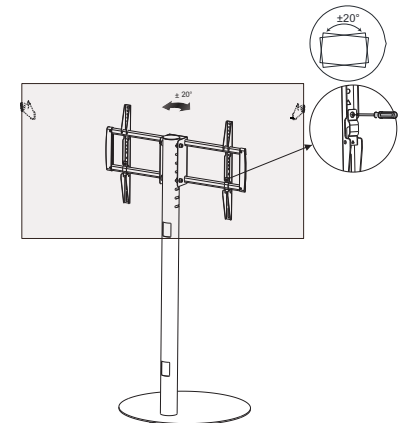
Step-3:Chose the suitable height you want.Use the screws in accessories bag2 to install the wall plate to the stand.



Step-4:Install brackets to TV.



Step-5:Install TV to the stand.



You can use the cable ties to strap power strip and router to the back of tv plate.